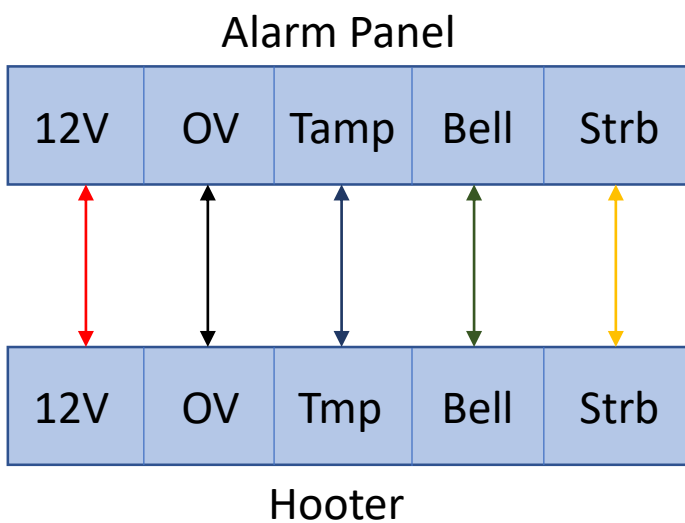




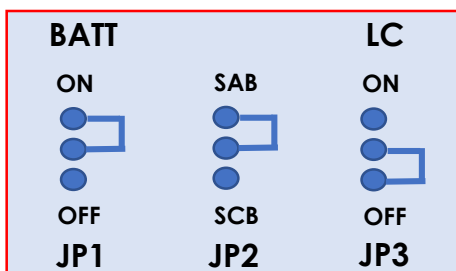
Wiring Diagram to Connect Texecom Hooter to alarm panel

Step 1:



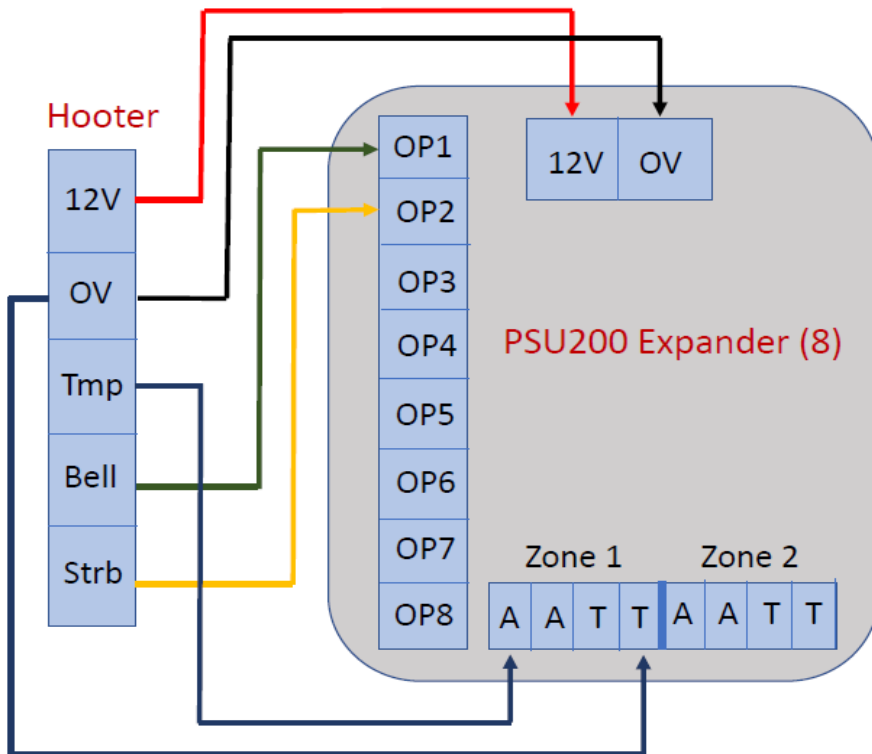
Wired Hooter PCB

Step 2:



Connecting Texecom Hooter using PSU200-XP Expander

Step 1- Hardware connection

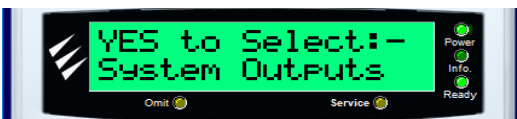


Step 2- Programming the panel

Press **1234** on the control panel. The below message will be displayed.



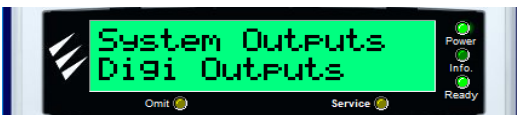
Press **6** to reach "System Outputs"



Press Yes ✓



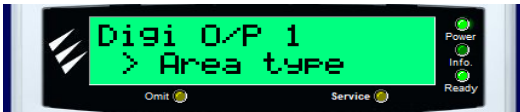
Press Down arrow button (↓) to select to reach "Digi Outputs"



Press Yes ✓ to reach "Digi O/P 1"



Press NO (X) to edit the option & Press 2 to reach "AREA Type" & Press Yes ✓



Press 28



Press Yes ✓ & select the required area entering the numbers e.g.: 1=A, 2=B etc.



Press Yes ✓



Press Down arrow button (↓) to select to reach "Digi O/P 2"



Press NO (X) to edit the option & Press 2 to reach "Area Type" & Press Yes



Press 28



Press Yes ✓ & select the required area entering the numbers e.g.: 1=A, 2=B etc.



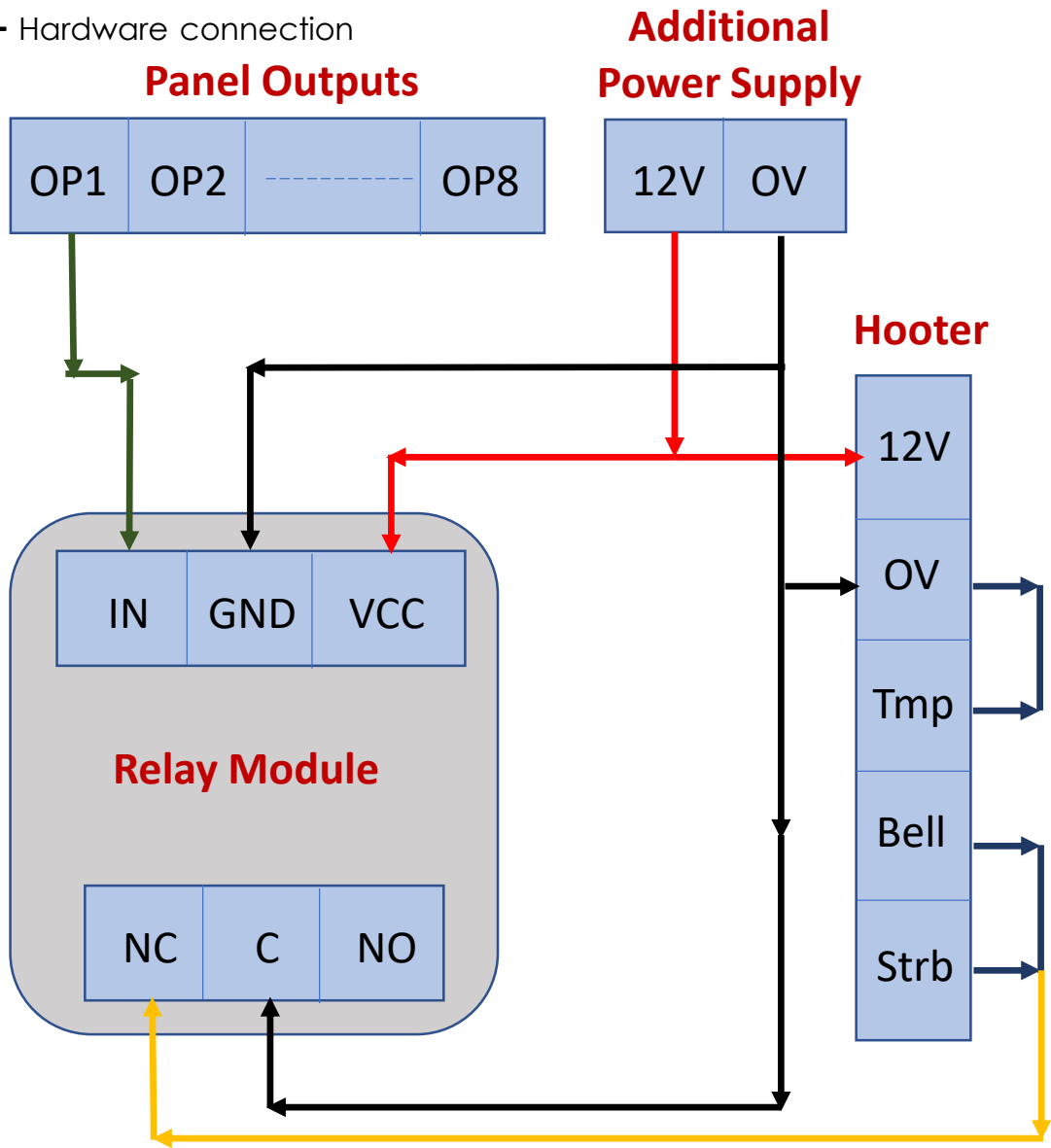
Press Yes ✓



Press Menu (☰) three times on the control panel and then press Yes to logoff from your control panel

Connecting Texecom Hooter using Relay module

Step 1- Hardware connection



Step 2- Programming the panel

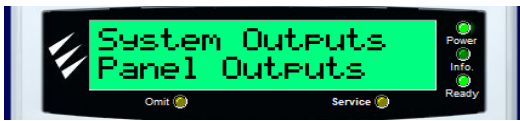
Press **1234** on the control panel. The below message will be displayed.



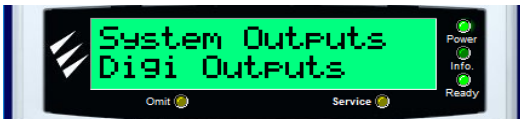
Press **6** to reach "System Outputs"



Press Yes (✓)



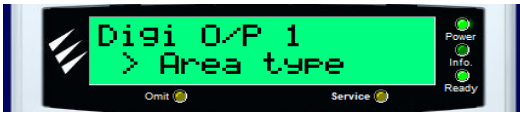
Press Down arrow button (↓) to select to reach "Digi Outputs"



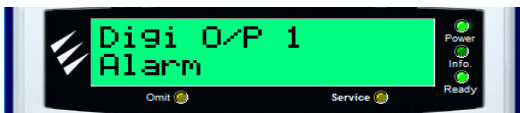
Press Yes ✓ to reach " Digi O/P 1"



Press NO (X) to edit the option & Press 2 to reach "AREA Type" & Press Yes ✓



Press Yes ✓ Twice



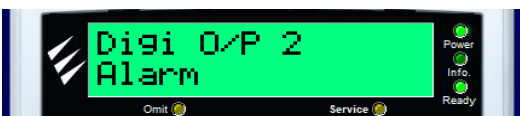
Press Down arrow button (↓) to select to reach "Digi O/P 2"



Press NO (X) to edit the option & Press 2 to reach "Area Type" & Press Yes ✓



Press Yes ✓ Twice



Press Menu (☰) three times on the control panel and then press **Yes** to logoff from your control panel



FAQ:

How to identify the LED status?

Summary of LED States	
Slow flashing LEDs	Normal operation
Left LED flashing only	Hold-Off active, tamper circuit open
Right LED flashing only	Hold-Off active, tamper circuit closed
Fast flashing Right LED	Hold-Off active, remote power removed
Fast flashing LEDs	Hold-Off active but will cancel within 2 minutes